

Dimming  
Control

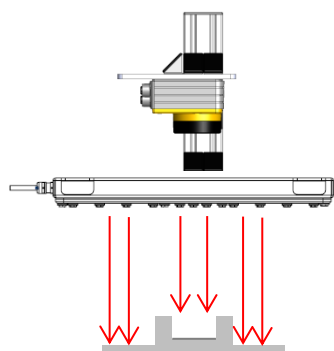


Diffuse illumination with high intensity  
Available from 100mm x 100mm to 600mm x 600mm  
Long lifetime and minimal maintenance

<b>Electronics</b>	Power supply	24V DC
	Illumination mode	Continuous With a DIM process [0-24V] – Analog voltage or strobe mode
	Power consumption	Vary depends on the dimensions ( <i>refer to page 3</i> )
	Cable	Bare cable (5 or 10 meters) - 5 contacts
<b>Optics</b>	Wavelength	Single wavelength (Blue, Green, Red, IR) or White
<b>Mechanics</b>	Weight	Vary depends on the dimensions
	Thickness	35.6mm
	Dimensions	From 100mm x 100mm to 600mm x 600mm ( <i>refer to page 3</i> )
	Fastener	4 holes (Ø 5.5mm / 20mm length)
	Material	Device body: 316L Stainless Steel; Window: PMMA
	Hole diameter	70mm
<b>Environment</b>	Working temperature	0°C to 40°C
	IP code	IP68 & IP69K



### Applications



Direct illumination ❌



EFFI-FD illumination ✅



### Part Number



<b>Reference:</b> EFFI-FD-IP69K- <b>XXX</b> - <b>YYY</b> - <b>ZZZ</b> -V-AA					
<b>XXX:</b> Optical width (mm) & <b>YYY:</b> Optical length (mm) ( <b>XXX</b> ≤ <b>YYY</b> )					
Dimensions are available from 100mm x 100mm up to 600mm x 600mm					
<b>ZZZ:</b> Color / Wavelength (nm) (other wavelengths available upon request)					
● Blue 465±10nm	● Green (on request) 525±10nm	● Red 625±10nm	● IR 850±10nm	● IR (on request) 940±10nm	○ White 000 (T°= 5700K±700K)
<b>AA:</b> Cable length (If not specified, 10 meters length by default) (Other lengths available upon request)					
-L5: 5 meters			-L10: 10 meters		
<b>V:</b> Vent					
The vent on our IP69K products equalizes pressures, minimize the condensation while blocking water.					
Option : Food processing					
For food processing environment, the nickel-plated brass gland can be replaced with stainless steel type and the cable with a certified food & beverage convenient one. For this option, please add <b>-FOOD</b> in the part number.					
<b>Part number :</b> EFFI-FD-IP69K-XXX-YYY-ZZZ-FOOD					

### Electronical considerations



#### Contact arrangement

The EFFI-FD-IP69K is supplied with a 24V constant voltage. Please make sure that the flying leads output of the cable is in a sealed area. The AIC contact needs to be connected.

**ÖLFLEX® ROBUST 210** (Câble 5X1: ref LAPP 0021919) - Weather, bio oil, detergent and hot water resistant for use in food & beverage industry and composting plants.

Core insulation made of modified PP / Outer sheath made of special TPE / Sheath colour: black

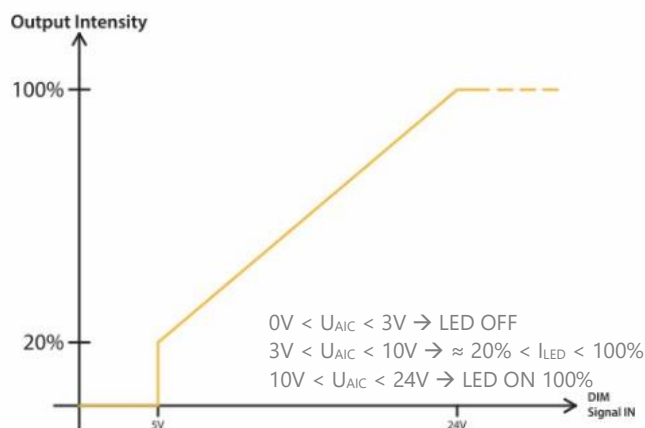
Conductor N°	EFFI-FD-IP69K
1	+24V
2	n.c.
3	GND
4	<b>AIC: Analog Intensity Control for Dimming Control</b> Consumption varies depending on the size (from 0.3mA to 10mA) Max 24V DC – Analog Voltage
5	n.c.

### Power supply

Please refer to below electrical power consumption table for the power of each product according to different dimensions. EFFI-FD-IP69K is supplied with a ÖLFLEX® ROBUST 210 cable. For specific configurations, please contact EFFILUX for more information.

		Maximum electrical power consumption @24V (W) for standard white EFFI-FD-IP69K						
		Optical length (mm)						
		100	150	200	300	400	500	600
Optical width (mm)	100	5	8	8	13	15	18	23
	150		10	13	18	23	28	33
	200			15	23	28	35	43
	300				33	43	53	63
	400					55	70	85
	500						88	110
	600							125

### Dimming control



		DIM consumption @24V (mA) for standard white EFFI-FD-IP69K						
		Optical length (mm)						
		100	150	200	300	400	500	600
Optical width (mm)	100	0.3	0.9	0.6	0.9	1.2	1.5	1.8
	150		1.8	1.8	2.7	3.6	4.5	5.4
	200			1.2	1.8	2.4	3	3.6
	300				2.7	3.6	4.5	5.4
	400					4.8	6	7.2
	500						7.5	9.0
	600							10.8

### Mechanical considerations (Dimensions in mm)



Mechanical length ( $L_{mecha}$ ) = Optical length ( $L_{op}$ ) + 46 mm

Mechanical width ( $l_{mecha}$ ) = Optical width ( $l_{op}$ ) + 46 mm

Example : For EFFI-FD-IP69K-200-200,  $L_{mecha}$  = 246 mm and  $l_{mecha}$  = 246 mm

The cable is located on the longer side by default, as shown in the picture.

Other positions available upon request.

