



Strobe version available



Dimming version available

Mega Dome lighting for intense illumination

Diffuse indirect light

Monochromatic and Tricolor versions

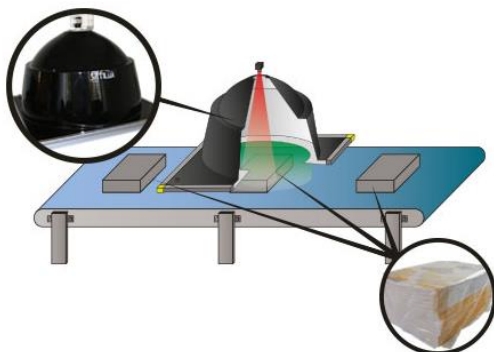
Standard connections and fasteners

Available in 600*600 mm²

Long lifetime and few maintenance

Electronics	Connectors	M12 – 5 Contacts
	Power supply	24V DC
	Illumination mode	Continuous or strobe mode
	Power consumption	24V – 2,9A – 55W (Continuous mode) (Max Power Consumption:
Optics	Wavelength	Single (from blue to IR, white) or three different (RGB) wavelengths
Mechanics	Weight	12 kg
	Dimensions	639.5 mm x 639.5 mm x 427 mm
	Internal diameter	550 mm
	Fastener	A groove all around the device & M4 screw on the dome (4 on heat sink)
	Material	Device body: Aluminum alloy & ABS; Dome : Composite
Environment	Working temperature	0°C to 50°C

Applications



Without EFFI-MDOME



With EFFI-MDOME

Part Number

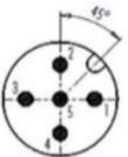


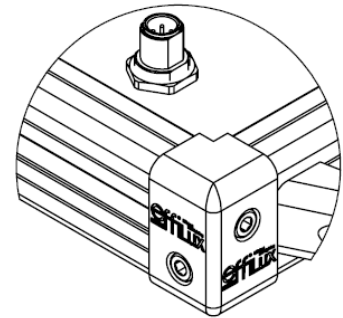
<p>Reference: EFFI-MDOME-XXX-YYY</p>					
<p>XXX: Size (mm)</p>					
<p>600</p>					
<p>YYY: Color / Wavelength (nm) (other wavelengths available on request)</p>					
● Blue 465	● Green 525	● Red 625	● IR 850	○ White 000 (T°= 5500 K ± 500 K)	Tricolor version Red / Green / Blue : RGB

Electronical considerations



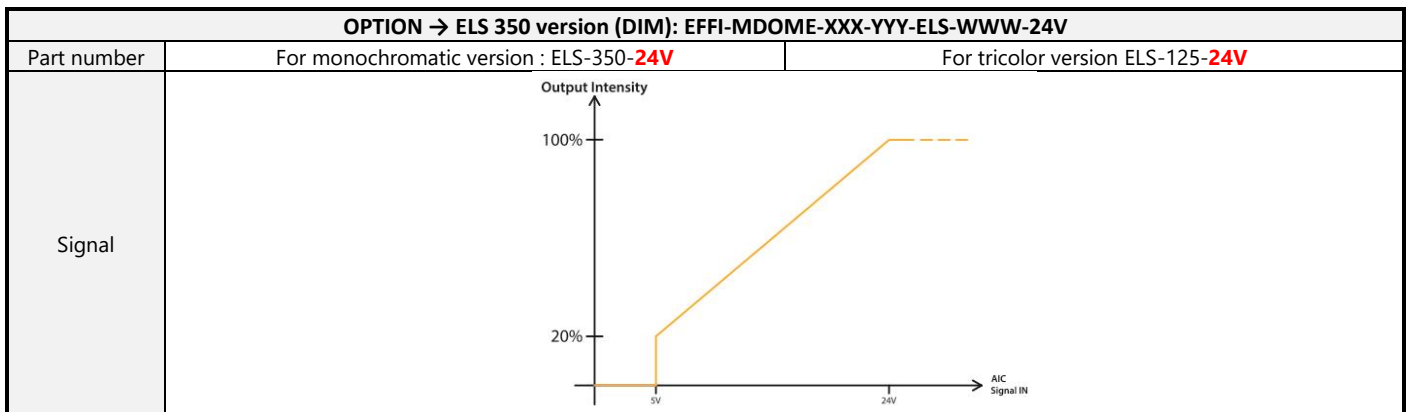
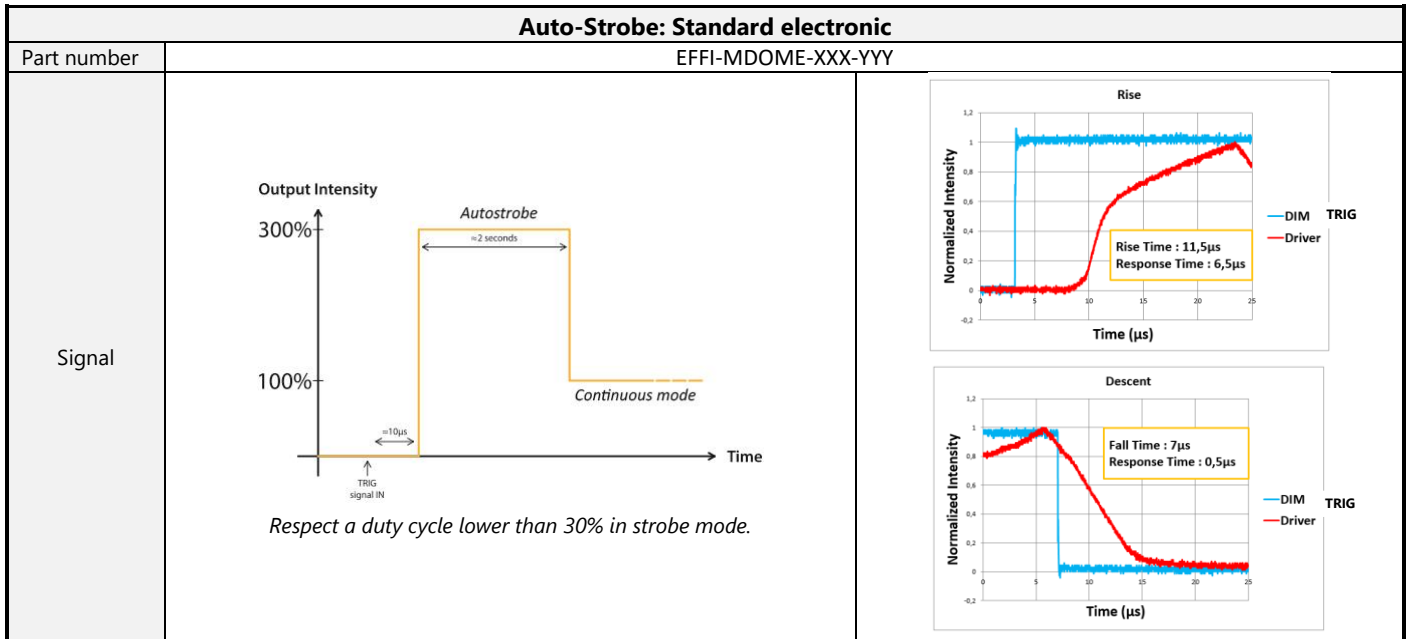
Contact arrangement

M12 connector				
Contact arrangement	Number	Color Contact	Designation Monochrome version	Designation RGB version
 M12 Male connector	1	Brown	+24V	+24V
	2	White	n.a.	Blue PNP TRIG ⁽¹⁾ Max 24V DC – Analog Voltage
	3	Blue	GND	GND
	4	Black	PNP TRIGGER ⁽¹⁾ (trigger for rising edge) for Auto-strobe Light ON if V _{PNP} > 3V DC Max 24V DC – Analog Voltage	Red PNP TRIG ⁽¹⁾ Max 24V DC – Analog Voltage
	5	Grey	n.a.	Green PNP TRIG ⁽¹⁾ Max 24V DC – Analog Voltage



(1) Or DIM if ELS version is chosen

Electronic Version

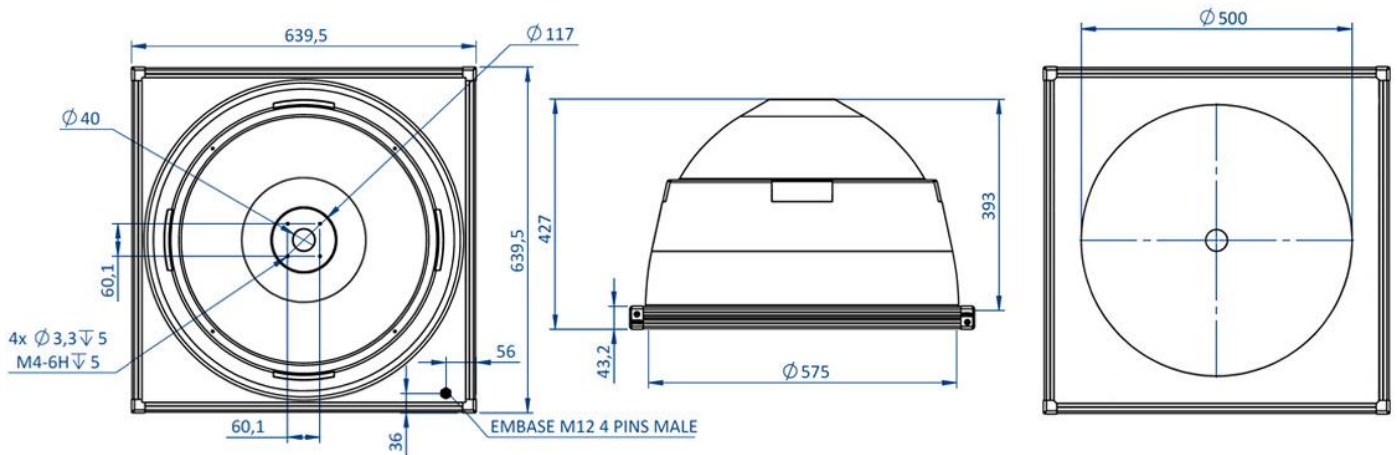


Power supply

Max Electrical power consumption (W)			
Auto-strobe		ELS 350mA	ELS 125mA
P _{Peak_2s}	P _{Cw} *	55	25
155	55		

TRIG consumption (mA)			DIM consumption (mA)
@5V	@10V	@24V	0.8mA @24V
0.15	0.3	0.7	

Mechanical considerations (Dimensions in mm)



Accessories

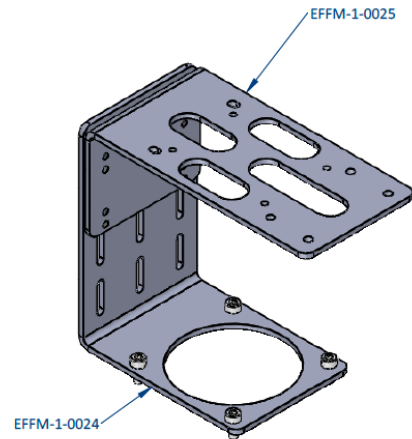
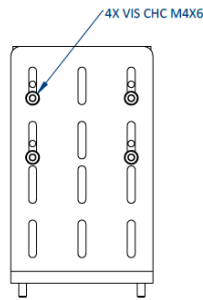
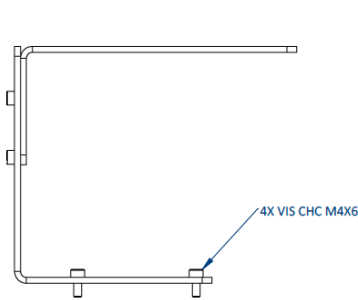
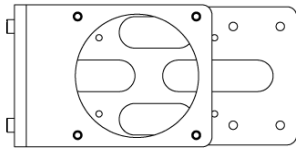


Cables

Connectivity	Orientation	Length	Number
M12 – Female / Male - 5 contacts	Straight / Straight	2 m	EFFC-CAB-M12-FM-5-DD-L2
		5 m	EFFC-CAB-M12-FM-5-DD-L5
		10 m	EFFC-CAB-M12-FM-5-DD-L10
M12 – Female - 5 contacts	Straight / Bare wire	2 m	EFFC-CAB-M12-F-5-D-L2
		5 m	EFFC-CAB-M12-F-5-D-L5
		10 m	EFFC-CAB-M12-F-5-D-L10
M12 – Female - 5 contacts	Elbow / Bare wire	2 m	EFFC-CAB-M12-F-5-C-L2
		5 m	EFFC-CAB-M12-F-5-C-L5
		10 m	EFFC-CAB-M12-F-5-C-L10

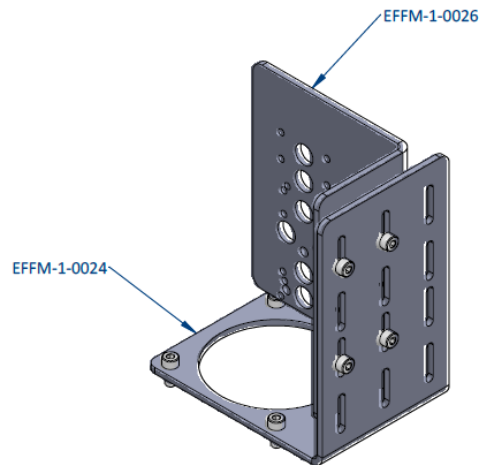
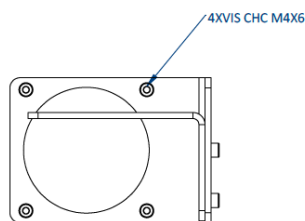
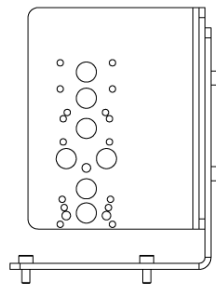
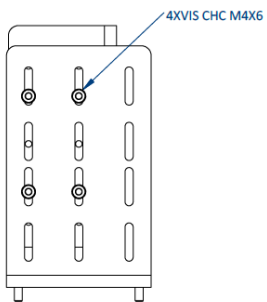
Camera supports

EFFM-1-HORI : EFFM-1-0024 + EFFM-1-0025



Existing in STEEL version.

EFFM-1-VERT : EFFM-1-0024 + EFFM-1-0026



Existing in STEEL version.