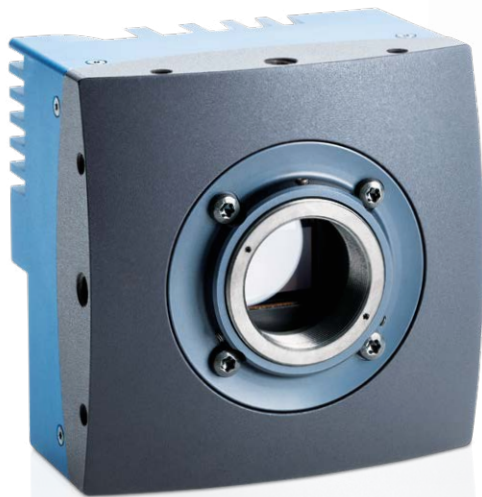


EoSens® 1.1 CXP2



CoaXPress

GEN<i>i>CAM

CXP-12

Engineered for highest Performance

Featuring a high-speed CMOS sensor, the EoSens® 1.1 CXP2 offers 1,280 x 864 pixel at an outstanding speed of 3,660 fps combined with an integrated CoaXPress Version 2.0 with up to 4 lanes 12.5 Gbps for easy transmissions of this incredible data rate. Higher frame rates can be achieved by defining a region of interest. Based on the extremely high sensitivity the camera delivers excellent images even with low exposure times.

High Sensitivity

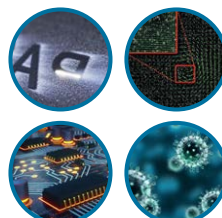
The camera's extreme sensitivity of 20 V/lux*s @ 550 nm delivers high-contrast images even in very low light conditions. This allows to integrate it in applications where lighting is the crucial point.

EoSens® 1.1 CXP2 Key Features:

- 3,660 fps at 1.1 megapixel resolution
- Up to 224,600 fps at reduced resolution
- High sensitivity
- Fast CoaXPress-12 Interface
- 80 x 80 x 53 mm small

APPLICATION EXAMPLES

- Melt pool monitoring
- Additive Manufacturing
- Ball grid inspection
- Sorting
- PIV measurements
- Inspection
- Roboter positioning
- Microscopy



MIKROTRON
High-Speed Vision Solutions

Compact Design

Contained within an 80 x 80 x 53 mm in a fanless metal housing with highest data rates and an extremely fast CoaXPress Version 2.0 Interface, the EoSens® 1.1 CXP2 is suited for use in a wide range of industrial applications.

Frame rates

Resolution	Frame rate
1,280 x 864 px	3,660 fps
1,280 x 764 px	4,140 fps
640 x 480 px	6,560 fps
128 x 128 px	23,810 fps
	Max. 224,600

Smart Features

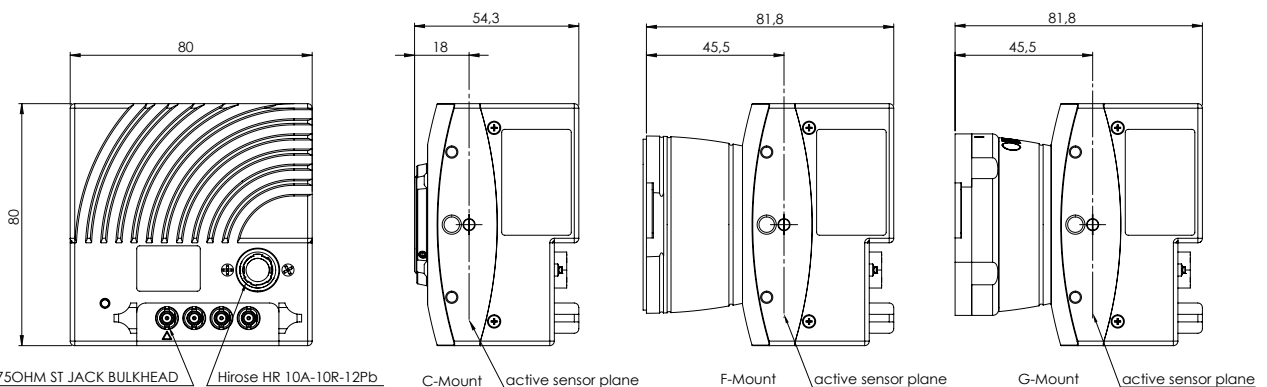
- CoaXPress lanes switchable 1, 2 or 4
- Link speed switchable down to 3,125 Gbps (CoaXPress 1.1 compatible)
- Gamma Correction
- FPN Correction

Technical Data

(More detailed specifications are available on request)

EoSens® 1.1 CXP2 monochrome / color	
Resolution	1.1 Mpix
Active pixels	1,280 x 864 px
Interface	CoaXPress® V2.0 @ 4 x 12.5 Gbit/s
Frame rate (8 bit)	3,660 fps
Sensor	LUX13HS
Sensor type	CMOS global shutter
Sensor format	4/3"
Active sensor area (H x V)	17.50 x 11.80 mm
Pixel size	13.7 x 13.7 µm
Sensitivity (mono)	20 V/lux*s @ 550 nm
Pixel data width	10 / 8 bit
Dynamic range	60 dB
Shutter time (steps)	1 µs
Shutter time (range)	2 µs – 1 s
Max. Trigger frequency	300 kHz
Max. Jitter via CXP Trigger	±4 ns
Mount options	C-Mount / F-Mount
Dimensions (W x H x L w/o mount)	80 x 80 x 53 mm
Weight (C-Mount)	450 g
Power consumption	11 W
Power supply	12 – 24 VDC
Camera body temperature	+5 °C ... +50 °C
Shock / Vibration proof	70 g / 7 grms
Conformity	CoaxPress / GenICam / CE / RoHS

Camera Body Dimensions



MIKROTRON GmbH

MIKROTRON GmbH provides a full range of high-speed imaging solutions for challenging applications in industry, engineering, science and sports. The company's extreme slow-motion recording solutions enable customers to optimize manufacturing processes, improve product design, revolutionize quality management and analyze motion.

Germany
Landshuter Str. 20-22
85716 Unterschleissheim
+49(0)89-726342-00
info@mikrotron.de
www.mikrotron.de

North America
14032 Hermosillo Way
US-Poway, CA 92064
+1-858-774-1176
steve.ferrell@mikrotron.de
www.mikrotron.de



member of the TKH Group <